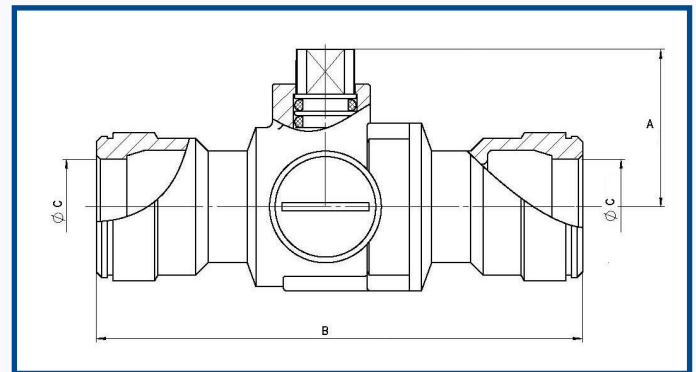




CP961® JG Speedfit®



MATERIALS	
Access Port Cap:	Nickel Plated Brass DZR CW602N
Ball:	Hard Chrome Plated Brass CW617N
Body:	Nickel Plated Brass DZR CW602N
End Cap:	Nickel Plated Brass CW602N
Stem:	Nickel Plated Brass CW617N
O-Rings:	EPDM
Seal:	PTFE
Speedfit® Fittings:	Polyethylene, EPDM

SIZE	15mm		
A (mm)	28.2		
B (mm)	91.9		
C (mm)	15.0		
Rating	PN16		
Weight (kg)	0.231		

CARTRIDGE RANGE (Ltrs / Min) Standard Pressure					CARTRIDGE RATING	CONNECTIONS
2.5 (Green)	4 (Grey)	6 (Black)	8 (White)	10 (Blue)	PN10	John Guest Speedfit
12 (Red)	15 (Lime)	18 (Green)	26 (Pink)			
CARTRIDGE RANGE (Ltrs / Min) Low Pressure					FILTERS	
3.0 (Brown)	4 (Grey)	6 (Black)	8 (White)	10 (Blue)	14 (Red)	30 Mesh or 60 Mesh

Optimum Pressure Range: 0.2 - 10 Bar (Accuracy +/- 10% Open Outlet)
 Optimum Pressure Range (Low): 0.2 - 4 Bar (Accuracy +/- 15% Open Outlet)
 Optional Lever Operator: Black, Blue, or Red
 Patent: European Patent No. 0840188
 JG Speedfit® Fittings Info: Plumbing range of polyethylene (grey and white) standard speedfit fittings EPDM 'O' rings and seals. Suitable for use with John Guest PE-X and polybutylene pipe (polysulphone and/or brass stem stiffeners are provided when using PE-X or PB pipe) 3.0 bar at 105°C, 6.0 bar at 95°C and 12.5 bar at 25°C. Also suitable for cold water use with copper pipe, maximum working pressure 12.5 bar.
 JG Speedfit® Fittings WRAS No.: 0807057

 **Speedfit** is a registered trademark of John Guest International

Pressure and temperature ratings are minimum and maximum values only and actual performance will be dependant upon application.
 All images on this page are for guidance only. E&OE. We reserve the right to amend specifications, prices & products without prior notification