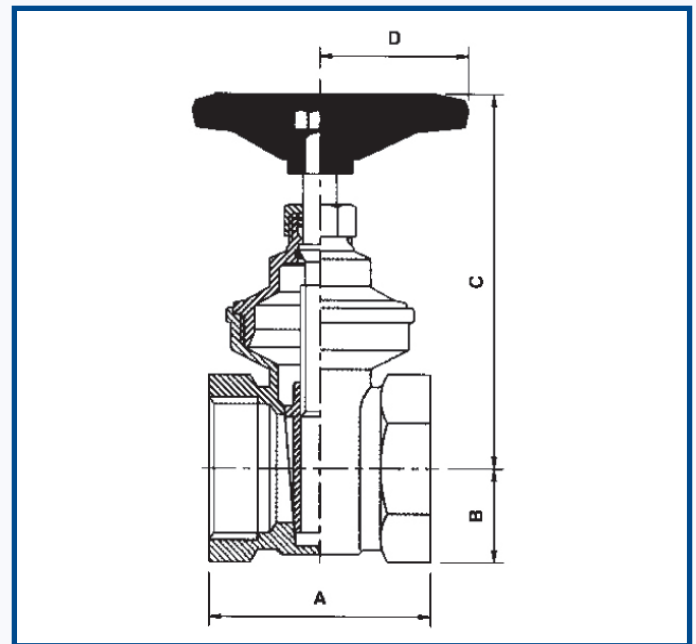



CP70


MATERIALS	
Body:	Brass OT58
Bonnet:	Brass OT58
Wedge:	Brass OT58
Seat:	Integral With The Body
Stem:	Brass OT58
Gland Packing:	Asbestos Free

CONNECTIONS
BSP Taper
NPT

SIZE	1/4"	3/8"	1/2"	3/4"	1"	1 1/4"	1 1/2"	2"	2 1/2"	3"	4"	5"
A (mm)		35.5	42.5	47.5	53.5	62.0	64.0	75.0	80.0	84.0		
B (mm)		12.0	14.5	18.0	21.5	27.5	30.5	38.0	48.0	56.0		
C (mm)		56.5	60.5	70.0	80.0	92.5	106.5	130.0	180.5	195.5		
D (mm)		50.0	50.0	60.0	60.0	70.0	80.0	90.0	72.5	72.5		
Rating		PN16	PN16	PN16	PN16	PN16	PN16	PN16	PN16	PN16		
Weight (kg)		0.200	0.380	0.490	0.680	0.890	1.260	1.910				

* Temperature 170° at 7 bar

Manufactured to BS 5154 Licence No. 6663

Pressure and temperature ratings are minimum and maximum values only and actual performance will be dependant upon application.

All images on this page are for guidance only. E&OE. We reserve the right to amend specifications, prices & products without prior notification