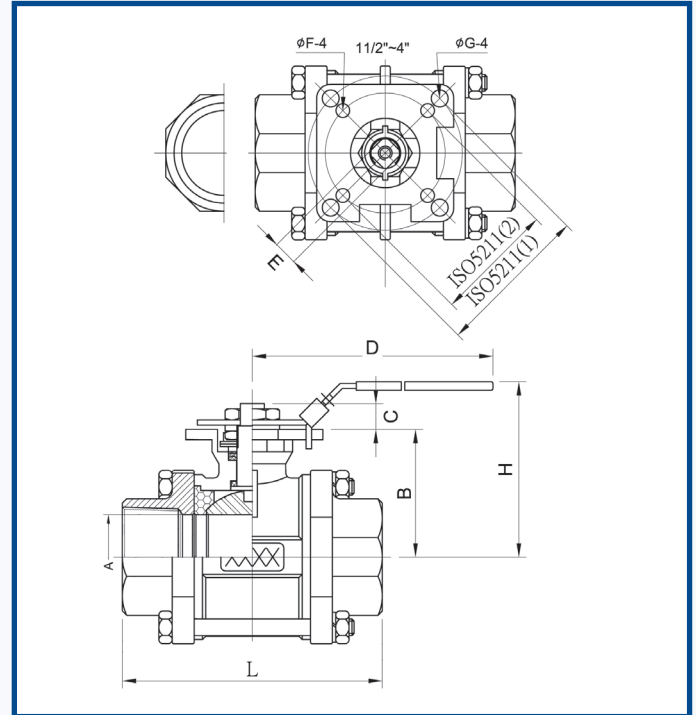




CP308L



MATERIALS	
Body:	Stainless Steel ASTM A351
Cap:	Stainless Steel ASTM A351
Ball:	Stainless Steel ASTM A351
Seats:	RPTFE
Stem:	Stainless Steel SS316
Handle Nut:	Stainless Steel SUS304
Thrust Washer:	PTFE 25%G/F
Stem Packing:	PTFE 15% G/F
Gland:	Stainless Steel SUS304
O-Ring:	VITON
Handle:	Stainless Steel SUS304
Bolts:	Stainless Steel SUS304
Bevelille Washer:	Stainless Steel SUS304-CSP

CONNECTIONS
BSP Parallel: ISO 228 (Equivalent to DIN 259)
BSP Taper: ISO 228 (Equivalent to DIN 2999)
NPT: National Pipe Thread (ANSI B1.20.1)
Socket Weld
Butt Weld: Schedule-40

SIZE	1/4"	3/8"	1/2"	3/4"	1"	1 1/4"	1 1/2"	2"	2 1/2"	3"	4"
A (mm)	11.5	12.5	15.0	20.0	25.0	32.0	38.0	50.0	65.0	80.0	100.0
B (mm)	36.95	36.95	36.95	45.00	53.45	58.95	74.75	83.50	108.75	118.25	153.75
C (mm)	8.5	8.5	8.5	8.5	11.4	11.4	14.0	13.7	18.0	18.0	18.0
D (mm)	112.0	112.0	112.0	112.0	136.0	185.0	197.9	197.9	264.0	264.0	325.0
E (mm)	9.0	9.0	9.0	9.0	11.0	11.0	14.0	14.0	17.0	17.0	17.0
F (mm)	n/a	n/a	n/a	n/a	n/a	n/a	7.0	7.0	9.0	9.0	9.0
G (mm)	6.0	6.0	6.0	6.0	7.0	7.0	9.0	9.0	11.0	11.0	11.0
H (mm)	72.95	72.95	72.95	80.80	90.45	98.65	115.25	124.00	155.00	208.50	216.70
L (mm)	63.50	63.50	63.50	72.50	81.0	94.5	108.0	121.5	157.5	190.0	225.0
ISO 5211 (1)	n/a	n/a	n/a	n/a	n/a	n/a	50/F05	50/F05	70/F07	70/F07	70/F07
ISO 5211 (2)	42/F04	42/F04	42/F04	42/F04	50/F05	50/F05	70/F07	70/F07	102/F10	102/F10	102/F10
Rating	PN63	PN63	PN63	PN63	PN63	PN63	PN63	PN63	PN40	PN40	PN40
Weight (kg)	0.743	0.657	0.582	0.746	1.064	2.125	2.560	3.650	7.700	11.700	21.800

Pressure and temperature ratings are minimum and maximum values only and actual performance will be dependant upon application.

All images on this page are for guidance only. E&OE. We reserve the right to amend specifications, prices & products without prior notification