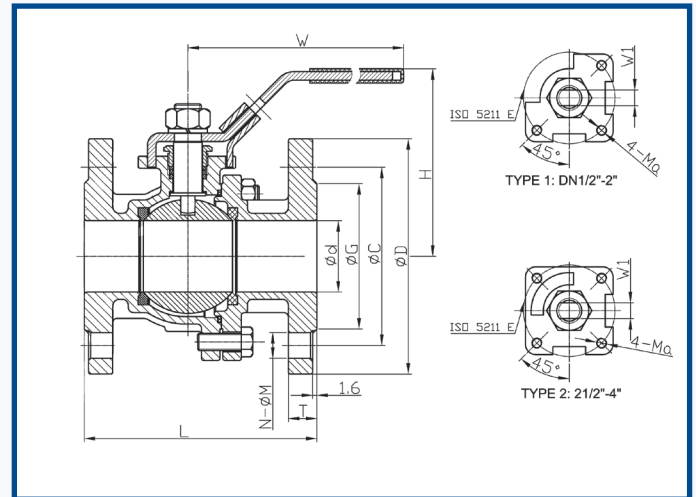




CP215L



MATERIALS	
Body:	Stainless Steel CF8M
Cap:	Stainless Steel CF8M
Ball:	Stainless Steel CF8M
Seats:	RPTFE
Stem	Stainless Steel SUS316
Gasket:	PTFE
Thrust Washer:	PTFE
Packing:	PTFE
Handle:	Stainless Steel SUS304
Gland:	Stainless Steel SUS304

CONNECTIONS
Face to Face Dimension: ANSI B16.10
End Flange Dimension: ANSI B16.5

SIZE	1/4"	3/8"	1/2"	3/4"	1"	1 1/4"	1 1/2"	2"	2 1/2"	3"	4"	5"
d (mm)			15.0	20.0	25.0	32.0	40.0	50.0	65.0	80.0	100.0	
D (mm)			89.0	98.0	108.0	117.0	127.0	152.0	178.0	190.0	229.0	
C (mm)			60.5	70.0	79.5	89.5	98.5	120.5	139.5	152.5	190.5	
G (mm)			35.0	43.0	51.0	64.0	73.0	92.0	105.0	127.0	157.0	
T (mm)			12.1	12.1	12.1	12.7	14.3	15.9	17.5	19.1	23.9	
N - ØM (mm)			4-Ø16	4-Ø16	4-Ø16	4-Ø16	4-Ø16	4-Ø19	4-Ø19	4-Ø19	8-Ø19	
L (mm)			108.0	117.0	127.0	140.0	165.0	178.0	190.0	203.0	229.0	
H (mm)			76.0	78.0	92.0	95.0	126.0	132.0	166.0	176.0	190.0	
W (mm)			153.0	153.0	188.0	188.0	255.0	255.0	288.0	288.0	388.0	
W1 (mm)			8.0	8.0	9.5	9.5	12.0	12.0	16.0	16.0	16.0	
ISO 5211			F04	F04	F05	F05	F07	F07	F10	F10	F10	
E (mm)			42.0	42.0	50.0	50.0	70.0	70.0	102.0	102.0	102.0	
Ma (mm)			M5	M5	M6	M6	M8	M8	M10	M10	M10	
Rating			CL150	CL150	CL150	CL150	CL150	CL150	CL150	CL150	CL150	
Weight (kg)			2.50	3.00	4.50	5.70	7.00	10.00	14.00	18.00	26.00	

Pressure and temperature ratings are minimum and maximum values only and actual performance will be dependant upon application.

All images on this page are for guidance only. E&OE. We reserve the right to amend specifications, prices & products without prior notification