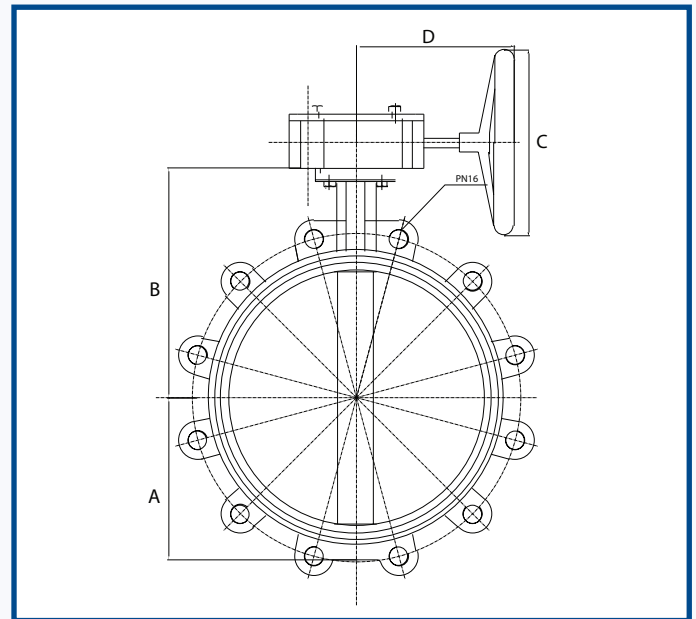




CP200L



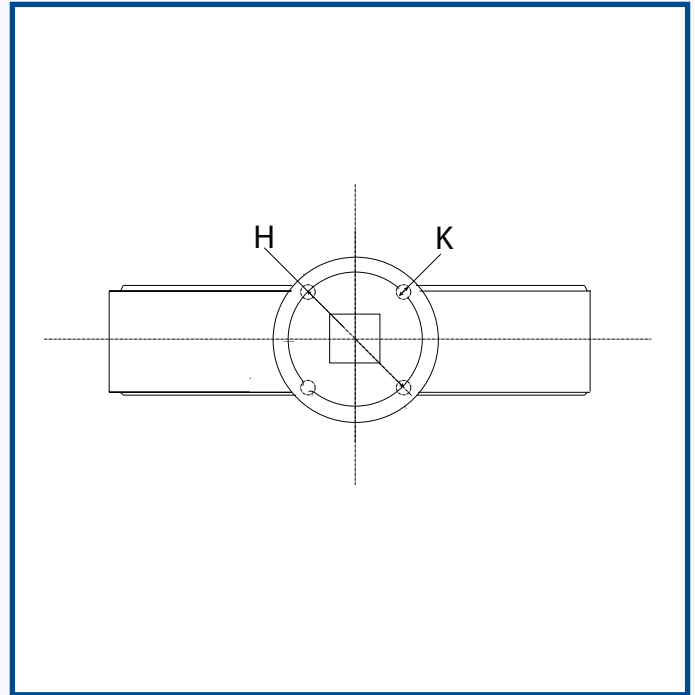
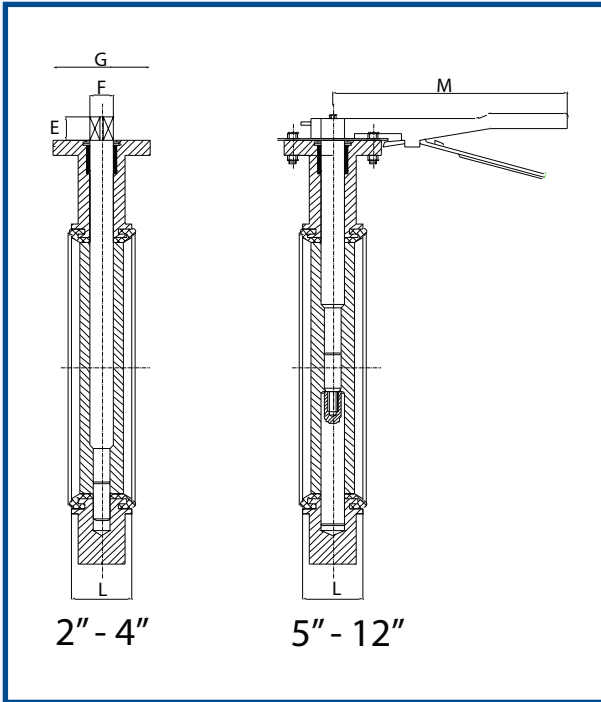
Body:	Cast Iron GG25
Disc:	Stainless Steel CF8M / Aluminium - Bronze C954
Stem:	Stainless Steel SS416
Liner:	EPDM / NBR / Silicaon / VITON
Washer:	Carbon Steel
Retainer:	Carbon Steel
Bushing:	PTFE
O-Ring:	NBR
Gasket:	Aluminium - Bronze

MATERIAL	Temperature Range
EPDM	-30 °C - +120 °C
BUNA	-10 °C - +120 °C
Silicon	-20 °C - +200 °C
VITON	-10 °C - +135 °C

DRILLING
PN16

- Please Note: Temperature Range: -30 °C - +100 °C for 18" to 20" EPDM ●

Pressure and temperature ratings are minimum and maximum values only and actual performance will be dependant upon application.
All images on this page are for guidance only. E&OE. We reserve the right to amend specifications, prices & products without prior notification



SIZE	2"	2 1/2"	3"	4"	5"	6"	8"	10"	12"
A (mm)	59.0	65.5	91.4	92.0	108.0	122.0	153.0	188.0	214.0
B (mm)	140.0	152.4	159.0	178.0	190.0	203.0	241.0	273.0	311.0
L (mm)	40.2	44.0	44.0	50.5	53.4	52.4	62.5	63.5	76.2
E (mm)	13.0	13.0	13.0	13.0	13.0	13.0	18.0	18.0	18.0
M (mm)	267.0	267.0	267.0	267.0	267.0	267.0	298.0	298.0	298.0
K (mm)	4 X 10/7	4 X 10/7	4 X 10/7	4 X 10/7	4 X 10	4 X 10	4 X 12/10	4 X 12/10	4 X 14.5/12
H (mm)	70/50	70/50	70/50	70/50	70	70	102/70	102/70	125/102
G (mm)	90.0	90.0	90.0	90.0	90.0	90.0	125.0	125.0	150.0
F (mm)	11 x 11	11 x 11	11 x 11	14 x 14	14 x 14	14 x 14	17 x 17	22 x 22	22 x 22
D (mm)	233.0	233.0	233.0	233.0	233.0	233.0	226.0	226.0	226.0
C (mm)	300.0	300.0	300.0	300.0	300.0	300.0	300.0	300.0	300.0
Rating	PN16	PN16	PN16	PN16	PN16	PN16	PN16	PN16	PN10
Weight (kg) Lever	4.6	5.2	7.6	9.8	12.2	14.0	22.0	32.0	44.8
Weight (kg) Gearbox	12.4	13.0	15.4	17.6	20.0	21.8	32.2	42.2	55.0

• Please Note: Other Sizes available up to 20" •