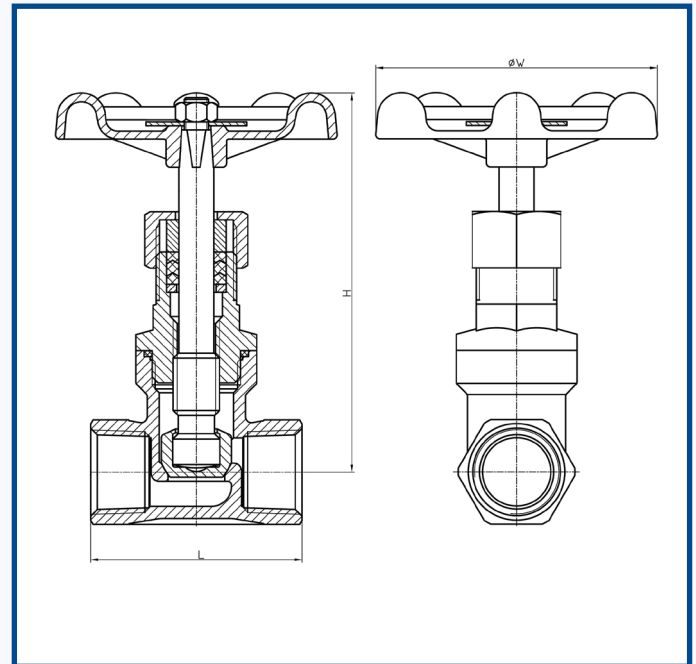




## CP1016



### MATERIALS

Body:	Stainless Steel CF8M
Disc:	Stainless Steel CF8M
Bonnet:	Stainless Steel CF8M
Gasket:	PTFE
Gasket:	Stainless Steel SUS304
Packing:	PTFE
Gland:	Stainless Steel SUS304
Cap Nut:	Stainless Steel CF8M
Stem:	Stainless Steel SUS316
Handle:	Aluminium
Nameplate:	Aluminium
Stem Nut:	Stainless Steel SUS304

### CONNECTIONS

BSP Parallel: ISO228 (Equivalent to DIN 259)

SIZE	1/4"	3/8"	1/2"	3/4"	1"	1 1/4"	1 1/2"	2"	2 1/2"	3"	4"	5"
L (mm)	52.0	52.0	52.0	66.0	76.0	86.0	94.0	118.0				
H (mm)	105.5	105.5	107.0	116.0	129.2	153.5	157.0	172.0				
W (mm)	70.0	70.0	70.0	80.0	80.0	90.0	100.0	100.0				
Rating	CL200	CL200	CL200	CL200	CL200	CL200	CL200	CL200				
Weight (kg)	0.338	0.320	0.329	0.472	0.660	1.010	1.290	1.822				

Pressure and temperature ratings are minimum and maximum values only and actual performance will be dependant upon application.

All images on this page are for guidance only. E&OE. We reserve the right to amend specifications, prices & products without prior notification