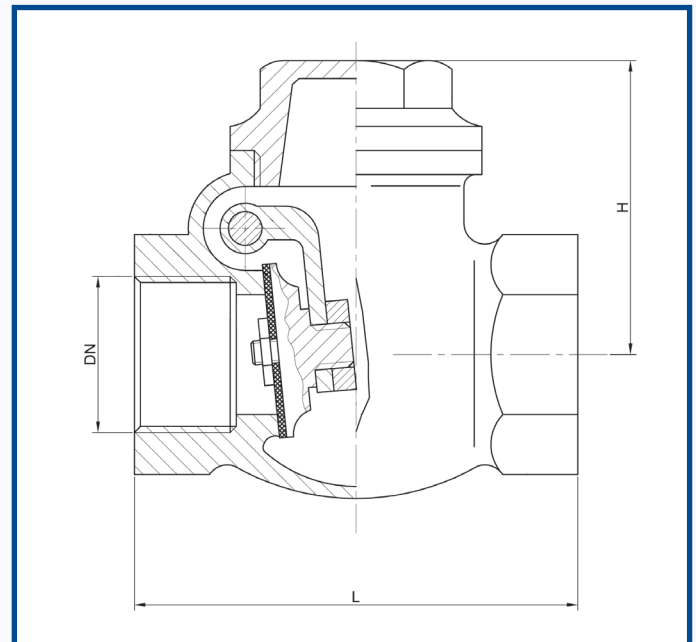




CP1012



MATERIALS

| | |
|------------------------|--------------------|
| Body: | Bronze C83600 ASTM |
| Cap: | Bronze C83600 ASTM |
| Hinge: | Bronze C83600 ASTM |
| Disc Seal: | PTFE |
| Disc: (1/2" to 1 1/4") | Brass CW614N |
| Disc: (1 1/2" to 4") | Bronze C83600 ASTM |
| Pin: | Brass CW614N |
| Nut: 3/8" to 2" | Stainless Steel |
| Nut: 2 1/2" to 4" | Brass CW614N |

CONNECTIONS

BSP Parallel: ISO 228
(equivalent to DIN 259 and BS 2779)

| SIZE | 1/4" | 3/8" | 1/2" | 3/4" | 1" | 1 1/4" | 1 1/2" | 2" | 2 1/2" | 3" | 4" | 5" |
|-------------|------|-------|-------|-------|-------|--------|--------|-------|--------|-------|-------|----|
| L (mm) | | 60.0 | 60.0 | 70.0 | 85.0 | 95.0 | 110.0 | 130.0 | 150.0 | 180.0 | 195.0 | |
| H (mm) | | 40.0 | 45.0 | 50.0 | 60.0 | 70.0 | 75.0 | 85.0 | 100.0 | 120.0 | 120.0 | |
| Rating | | PN25 | PN25 | PN25 | PN25 | PN25 | PN25 | PN25 | PN25 | PN25 | PN25 | |
| Weight (kg) | | 0.270 | 0.300 | 0.500 | 0.850 | 1.150 | 1.700 | 2.470 | 3.750 | 6.050 | 9.220 | |

Pressure and temperature ratings are minimum and maximum values only and actual performance will be dependant upon application.
All images on this page are for guidance only. E&OE. We reserve the right to amend specifications, prices & products without prior notification