

CP1011

BRONZE SWING

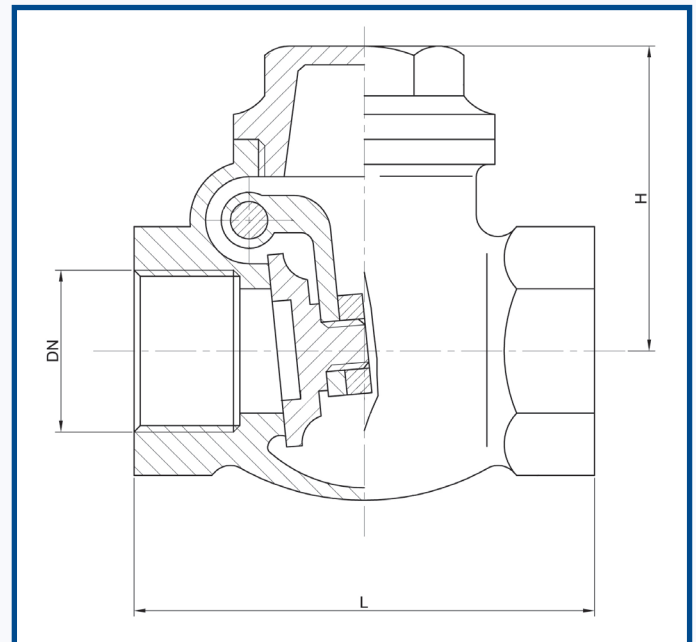
CHECK VALVE

-10 °C to +180 °C

PN25 BSP



CP1011



MATERIALS

Body:	Bronze C83600 ASTM
Cap:	Bronze C83600 ASTM
Hinge:	Bronze C83600 ASTM
Disc: (1/2" to 1 1/4")	Brass CW614N
Disc: (1 1/2" to 4")	Bronze C83600 ASTM
Pin:	Brass CW614N
Nut: 3/8" to 2"	Stainless Steel
Nut: 2 1/2" to 4"	Brass CW614N

CONNECTIONS

BSP Parallel: ISO228
(equivalent to DIN 259 and BS 2779)

SIZE	1/4"	3/8"	1/2"	3/4"	1"	1 1/4"	1 1/2"	2"	2 1/2"	3"	4"	5"
L (mm)		60.0	60.0	70.0	85.0	95.0	110.0	130.0	150.0	180.0	195.0	
H (mm)		40.0	45.0	50.0	60.0	70.0	75.0	85.0	100.0	120.0	120.0	
Rating		PN25	PN25	PN25	PN25	PN25	PN25	PN25	PN25	PN25	PN25	
Weight (kg)		0.270	0.300	0.500	0.850	1.150	1.700	2.470	3.750	6.080	9.250	

Pressure and temperature ratings are minimum and maximum values only and actual performance will be dependant upon application.

All images on this page are for guidance only. E&OE. We reserve the right to amend specifications, prices & products without prior notification