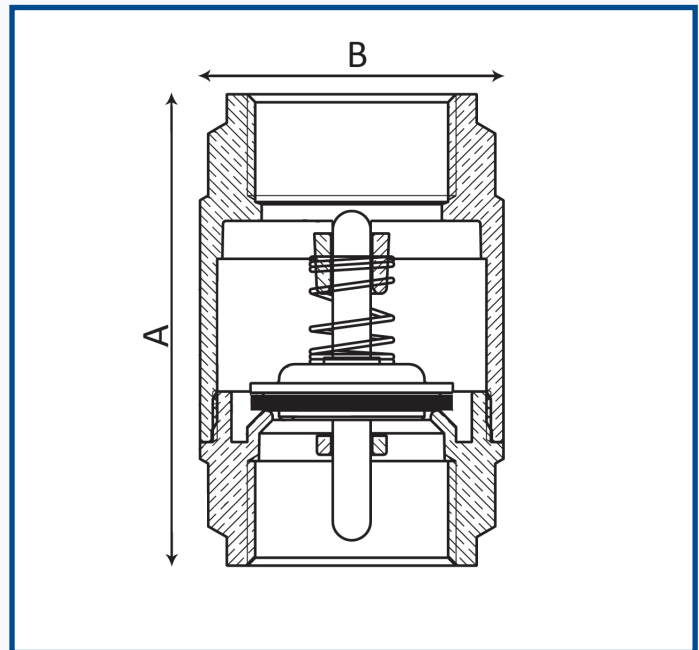



CP1007

MATERIALS

Body:	Brass CW617N
End Adapter:	H.P. Brass CW617N
Pin:	Brass CW614N
Plug:	Brass CW614N
Seal:	Stainless Steel AISI 304
Spring:	Stainless Steel AISI 302
Washer:	NBR

CONNECTIONS

 BSP Parallel: ISO 228
 (equivalent to DIN EN ISO 228 and BSENISO 228)

SIZE	1/4"	3/8"	1/2"	3/4"	1"	1 1/4"	1 1/2"	2"	2 1/2"	3"	4"	5"
A (mm)		55.0	58.5	65.0	74.5	83.0	93.0	101.0	122.0	141.5	158.5	
B (mm)		34.5	34.5	41.5	48.0	60.5	71.0	87.0	120.0	140.0	172.5	
PN		25	25	25	25	18	18	18	12	12	12	
PSI		360	360	360	360	260	260	260	170	170	170	
Weight (kg)		0.176	0.195	0.272	0.408	0.630	0.860	1.270	2.760	4.200	6.850	

Pressure and temperature ratings are minimum and maximum values only and actual performance will be dependant upon application.

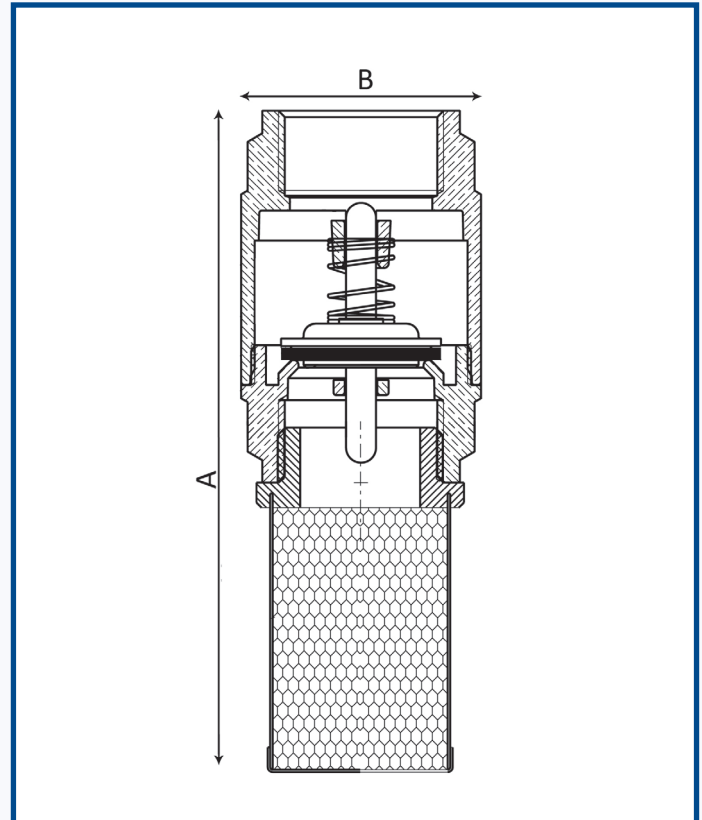
All images on this page are for guidance only. E&OE. We reserve the right to amend specifications, prices & products without prior notification



CP1007F

MATERIALS

Body:	Brass CW617N
End Adapter:	Brass CW617N
Pin:	Brass CW614N
Plug:	Brass CW614N
Seal:	Stainless Steel AISI 304
Spring:	Stainless Steel AISI 302
Strainer:	Stainless Steel AISI 304
End Adapter (Basket):	Nylon
Washer:	NBR



CONNECTIONS

BSP Parallel: ISO 228
(equivalent to DIN EN ISO 228 and BS ENISO 228)

SIZE	1/4"	3/8"	1/2"	3/4"	1"	1 1/4"	1 1/2"	2"	2 1/2"	3"	4"	5"
A (mm)		90.0	97.5	114.0	132.5	147.0	165.0	187.0	230.0	264.5	296.0	
B (mm)		34.5	34.5	41.5	48.0	60.5	71.0	87.0	120.0	140.0	172.5	
Filtration (µm)		1200	1200	1200	1200	1200	1200	1200	2000	2000	2000	
Rating:		PN25	PN25	PN25	PN25	PN18	PN18	PN18	PN12	PN12	PN12	
PSI		360	360	360	360	260	260	260	170	170	170	
Weight (kg)		0.183	0.207	0.287	0.433	0.661	0.912	1.328	2.894	4.392	7.150	

Pressure and temperature ratings are minimum and maximum values only and actual performance will be dependant upon application.

All images on this page are for guidance only. E&OE. We reserve the right to amend specifications, prices & products without prior notification