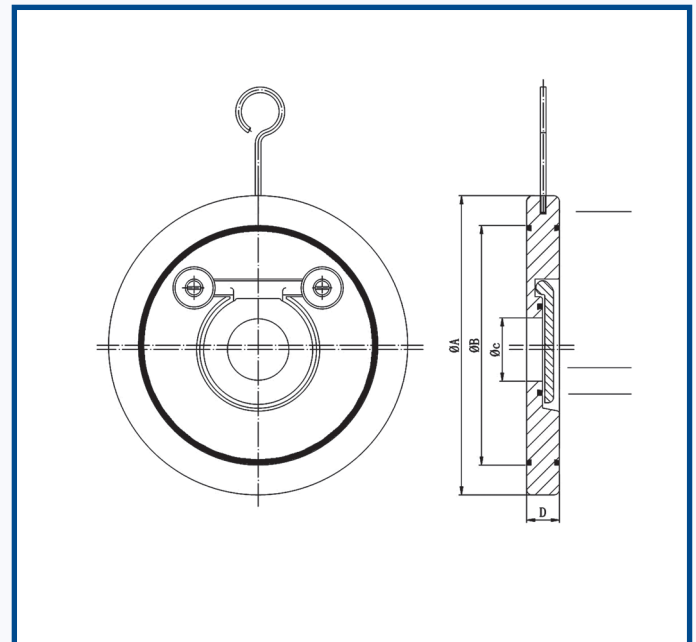



CP06600


MATERIALS	
Body:	Stainless Steel AISI 316
Disc:	Stainless Steel AISI 316
Eye Bolt:	Stainless Steel AISI 316
Spring:	Stainless Steel AISI 316
Retainer Screw:	Stainless Steel AISI 316
Pin:	Stainless Steel AISI 316
Disc Bearing:	Stainless Steel AISI 316
O-Ring:	VITON

CONNECTIONS
Flanges Standard: PN10/16

SIZE		2"	2 1/2"	3"	4"	5"	6"	8"	10"	12"		
DN (mm)		50.0	65.0	80.0	100.0	125.0	150.0	200.0	250.0	300.0		
ØA (mm)		109.0	129.0	144.0	164.0	194.0	220.0	275.0	330.0	380.0		
ØB (mm)		91.0	111.0	119.0	147.0	171.0	200.0	256.0	302.0	352.0		
ØC (mm)		32.0	40.0	54.0	70.0	92.0	112.0	154.0	192.0	227.0		
D (mm)		14.0	14.0	14.0	18.0	18.0	20.0	22.0	26.0	32.0		
Rating		PN16	PN16	PN16	PN16	PN16	PN16	PN16	PN16	PN16		
Weight (kg)		1.10	1.50	1.82	2.40	3.45	5.2	9.86	16.60			

Pressure and temperature ratings are minimum and maximum values only and actual performance will be dependant upon application.

All images on this page are for guidance only. E&OE. We reserve the right to amend specifications, prices & products without prior notification