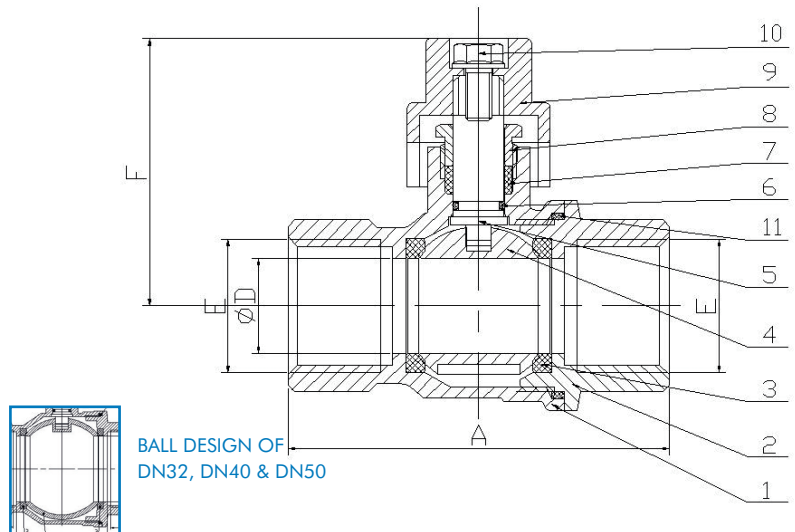


CP97AS

DZR Full Bore Ball Valve c/w Square Head Operator



TECHNICAL DESCRIPTION

FUNCTION
Shut-Off

SIZE RANGE
DN15 - DN50 (1/2" - 2")

PRESSURE RATING
PN40

TEMPERATURE RANGE
-20°C ~ 120°C

BODY MARKING
DN, PN, Logo
Batch Date, CW602N

COLOUR
n/a

APPROVALS
WRAS

APPLICATIONS
HVAC, Potable Water Systems

MATERIAL CONSTRUCTION AND SPECIFICATION

1. BODY: CW602N DZR
2. BONNET: CW602N DZR
3. SEAT: PTFE
4. BALL (DN15-DN25): CW602N DZR Chrome Plated Polished (Solid)
BALL (DN32-DN50): CW602N DZR Chrome Plated Polished (Hollow)
5. STEM (DN15-DN25): CW602N DZR Nickel Plated
STEM (DN32-DN50): CW617N Brass Nickel Plated
6. O-RING: EPDM (Shore 70)
7. PACKING: PTFE
8. GLAND NUT: HPb57-3 Brass Nickel Plated
9. SQ. HEAD OPERATOR: HPb57-3 Brass Nickel Plated
10. SCREW: Q235 Colour Zinc Plating
11. BODY O-RING: EPDM (Shore 70)

CONNECTION

ISO-7/2000 Rc Taper

DIMENSIONS (mm)

SIZE			1/2"	3/4"	1"	1 1/4"	1 1/2"	2"
CODE			CP97AS-T015	CP97AS-T020	CP97AS-T025	CP97AS-T032	CP97AS-T040	CP97AS-T050
A			58	67	81	94	102	121
D			15	20	25	32	40	50
E			1/2"	3/4"	1"	1 1/4"	1 1/2"	2"
F			55	58.5	68.5	73.5	88	97
PN			40	40	40	40	40	40
Kv			17	41	70	121	200	292
WEIGHT(g)			tba	tba	tba	tba	tba	tba
PACKING			10/100	10/100	5/50	4/40	2/20	1/10