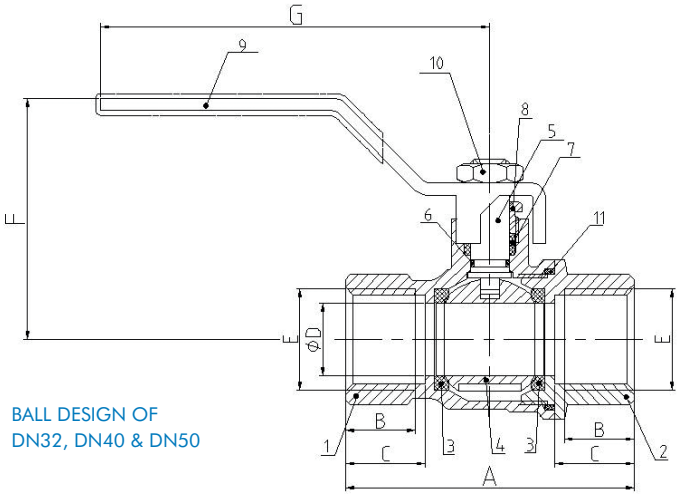
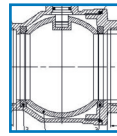


DZR Full Bore Ball Valve c/w Standard Lever



BALL DESIGN OF
DN32, DN40 & DN50

TECHNICAL DESCRIPTION

FUNCTION
Shut-Off

SIZE RANGE
DN15 - DN50 (1/2" - 2")

PRESSURE RATING
PN40

TEMPERATURE RANGE
-20°C ~ 120°C

BODY MARKING
DN, PN, Logo
Batch Date, CW602N

COLOUR
Handle: Black

APPROVALS
WRAS

APPLICATIONS
HVAC, Potable Water Systems

MATERIAL CONSTRUCTION AND SPECIFICATION

- 1. BODY: CW602N DZR
- 2. BONNET: CW602N DZR
- 3. SEAT: PTFE
- 4. BALL (DN15-DN25): CW602N DZR Chrome Plated Polished (Solid)
BALL (DN32-DN50): CW602N DZR Chrome Plated Polished (Hollow)
- 5. STEM (DN15-DN25): CW602N DZR Nickel Plated
STEM (DN32-DN50): CW617N Brass Nickel Plated
- 6. O-RING: EPDM (Shore 70)
- 7. PACKING: PTFE
- 8. LOCK NUT: HPb57-3 Brass
- 9. HANDLE: Q235 and PVC Sleeve
- 10. NUT: Stl/Stl (White Zinc Plating)
- 11. BODY O-RING: EPDM (Shore 70)

CONNECTION

ISO-7/2000 Rc Taper

DIMENSIONS (mm)

SIZE			1/2"	3/4"	1"	1 1/4"	1 1/2"	2"
CODE			CP97AL-T015	CP97AL-T020	CP97AL-T025	CP97AL-T032	CP97AL-T040	CP97AL-T050
A			58	67	81	94	102	121
B			13.5	15.5	19.5	20.5	20.5	23
C			15.5	17	21	23	23	25.5
D			15	20	25	32	40	50
E			1/2"	3/4"	1"	1 1/4"	1 1/2"	2"
F			50	53.5	63.5	68.5	83	92
G			81	81	114	114	158	158
PN			40	40	40	40	40	40
Kv			17	41	70	121	200	292
WEIGHT(g)			201	298	530	772	1190	1729
PACKING			10/100	10/100	5/50	4/40	2/20	1/10