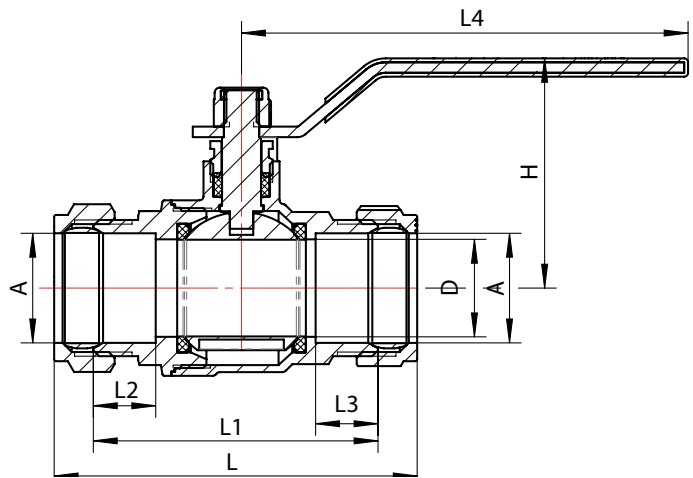


NEW EN331:1998+A1:2010 Gas Approved Brass Full Bore Ball Valve



TECHNICAL DESCRIPTION

FUNCTION

Shut-Off

SIZE RANGE

15mm - 54mm

PRESSURE RATING

PN16

TEMPERATURE RANGE

-20°C ~ 110°C (Non Gas) / -20°C ~ 60°C (Gas)

BODY MARKING

PN, DN and Production Batch Identification

Y Logo, MOP 5

COLOUR

Handle: Yellow

APPROVALS

EN331:1998+A1:2010

APPLICATIONS

GAS -20°C ~ 60°C (MOP 5)

NON GAS -20°C ~ 110°C

DIMENSIONS (mm)

SIZE	15mm	22mm	28mm	35mm	42mm	54mm
CODE	CP89AL-C15	CP89AL-C22	CP89AL-C28	CP89AL-C35	CP89AL-C42	CP89AL-C54
A	15mm	22mm	28mm	35mm	42mm	54mm
D	13	19.6	24.8	31.5	39.5	48
L	67	80	93	105	124	143
L1	49	61	73	83.5	100.5	113.5
L2	14.5	15	16	15	18	19.5
L3	10.5	13	16	15	18	19.5
L4	98.5	98.5	115	140	140	165
H	47	52	61	77	83	96
PN	16	16	16	16	16	16
Kv	tba	tba	tba	tba	tba	tba
WEIGHT(g)	203	346	593	908	1286	2013
PACKING	25/100	16/64	9/36	5/20	2/8	2/8

MATERIAL CONSTRUCTION AND SPECIFICATION

- 1. HANDLE NUT: Nickel Plated Steel
- 2. LEVER: Dacromet Plated Steel
- 3. PACKING NUT: Nickel Plated Brass
- 4. PACKING: Graphite
- 5. BODY: CW617N Brass Nickel Plated
- 6. BALL: CW617N Brass Chrome Plated
- 7. SEAT: PTFE
- 8. BONNET: CW617N Brass Nickel Plated
- 9. OLIVE: CW507L Copper
- 10. COMPRESSION NUT: Brass Nickel Plated
- 11. STEM: CW617N Brass Nickel Plated

CONNECTION

CxC Compression