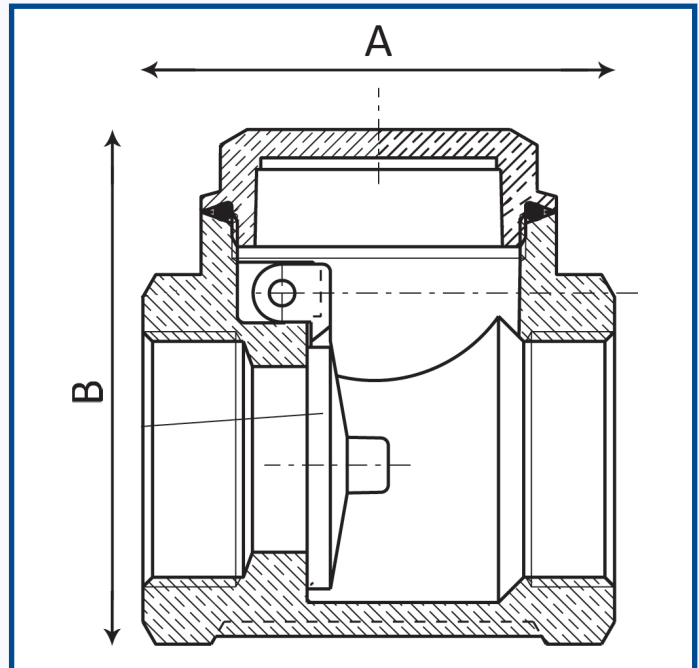




CP1008



MATERIALS	
Body:	Hot Pressed Brass CW617N
Cap:	Brass CW617N
Batten:	Hot Pressed Brass CW617N
O-Ring:	NBR
O-Ring:	NBR
Pin:	Brass CW614N
Plug:	Brass CW614N

CONNECTIONS
BSP Parallel: ISO 228 (equivalent to DIN EN ISO 228 and BS EN ISO 228)

SIZE	1/4"	3/8"	1/2"	3/4"	1"	1 1/4"	1 1/2"	2"	2 1/2"	3"	4"	5"
A (mm)		43.0	43.0	52.0	62.0	72.0	81.0	94.0	119.0	134.0	169.0	
B (mm)		50.0	50.0	59.5	68.0	77.0	88.0	100.0	128.0	148.0	185.0	
Rating		PN12	PN12	PN12	PN12	PN10	PN10	PN10	PN8	PN8	PN8	
PSI		170	170	170	170	140	140	140	110	110	110	
Weight (kg)		0.192	0.175	0.277	0.450	0.616	0.820	1.120	2.060	2.930	5.200	

Pressure and temperature ratings are minimum and maximum values only and actual performance will be dependant upon application.

All images on this page are for guidance only. E&OE. We reserve the right to amend specifications, prices & products without prior notification