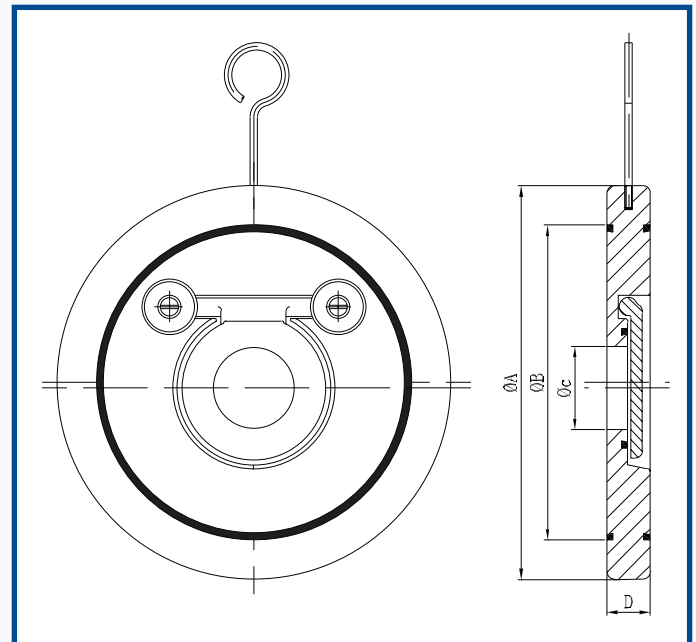



CP06000


MATERIALS	
Body:	Chrome Plated Carbon Steel
Disc:	Chrome Plated Carbon Steel
Eye Bolt:	Chrome Plated Carbon Steel
O-Rings:	NBR
Retainer Screw:	Chrome Plated Carbon Steel
Disc Bearing:	Chrome Plated Carbon Steel

CONNECTIONS
Flanges Standard: PN10/16

SIZE		2"	2 1/2"	3"	4"	5"	6"	8"	10"	12"		
DN (mm)		50.0	65.0	80.0	100.0	125.0	150.0	200.0	250.0	300.0		
ØA (mm)		109.0	129.0	144.0	164.0	194.0	220.0	275.0	330.0	380.0		
ØB (mm)		91.0	111.0	119.0	147.0	171.0	200.0	256.0	302.0	352.0		
ØC (mm)		32.0	40.0	54.0	70.0	92.0	112.0	154.0	192.0	227.0		
D (mm)		14.0	14.0	14.0	18.0	18.0	20.0	22.0	26.0	32.0		
Rating		PN16	PN16	PN16	PN16	PN16	PN16	PN16	PN16	PN16		
Weight (kg)		1.10	1.50	1.82	2.40	3.45	5.2	9.86	16.60			

Pressure and temperature ratings are minimum and maximum values only and actual performance will be dependant upon application.

All images on this page are for guidance only. E&OE. We reserve the right to amend specifications, prices & products without prior notification