



TECHNICAL CATALOGUE

DIAPHRAGM SAFETY RELIEF VALVES





ITAP SpA, founded in Lumezzane (Brescia) in 1972, is currently one of the leading production companies in Italy of valves, fittings and distribution manifolds for plumbing and heating systems. Thanks to fully automated production processes, with 72 tooling machines and 51 assembly lines, we are able to produce 200,000 pieces per day. Our innate pursuit for innovation and observance of technical regulations is supported by the company certification ISO 9001: 2008. The company has always considered its focus on quality as the main tool to obtain significant business results: today ITAP SpA is proud to offer products bearing the approval of numerous international certifying bodies.





DIAPHRAGM
SAFETY RELIEF
VALVES

ACCESSORIES

368

DIAPHRAGM SAFETY
RELIEF VALVE - FEMALE/
FEMALE THREAD



SIZE	PRESSURE	CODE	PACKING
1/2" (DN 15)	1,5	368001215	10/150
1/2" (DN 15)	1,8	368001218	10/150
1/2" (DN 15)	2,5	368001225	10/150
1/2" (DN 15)	3	368001230	10/150
1/2" (DN 15)	4	368001240	10/150
1/2" (DN 15)	6	368001260	10/150

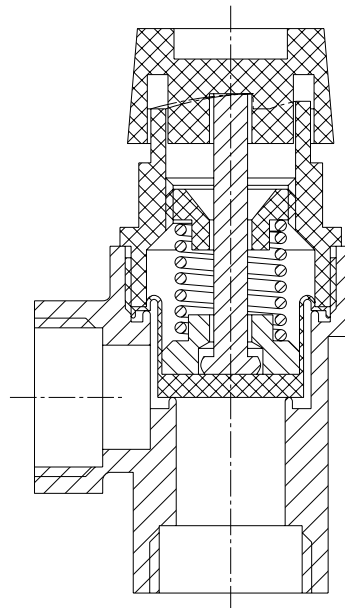
SIZE	PRESSURE	CODE	PACKING
3/4" (DN 20)	1,5	368003415	10/150
3/4" (DN 20)	1,8	368003418	10/150
3/4" (DN 20)	2,5	368003425	10/150
3/4" (DN 20)	3	368003430	10/150
3/4" (DN 20)	4	368003440	10/150
3/4" (DN 20)	6	368003460	10/150

SIZE	PRESSURE	CODE	PACKING
1" (DN 25)	1,5	368010015	10/80
1" (DN 25)	1,8	368010018	10/80
1" (DN 25)	2,5	368010025	10/80
1" (DN 25)	3	368010030	10/80
1" (DN 25)	4	368010040	10/80
1" (DN 25)	6	368010060	10/80

TECHNICAL SPECIFICATIONS

Body in nickel-plated brass.
Diaphragm: EPDM.
Spring: stainless steel.
Nominal pressure: 10 bar.
Working temperatures: 5°C - 110°C.
Opening overpressure: 20%.
Closing differential: 20%.
Available settings: 1,5 - 1,8 - 2,5 - 3 - 4 - 6 bar.
Threads: ISO228 (equivalent to DIN EN ISO 228 and BS EN ISO 228).
Available sizes: 1/2"x1/2", 3/4"x3/4", 1"x1"

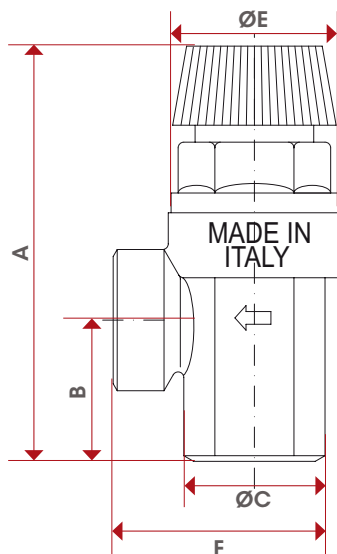
MATERIALS



MATERIALS

POS.	DESCRIPTION	N.	MATERIAL
-	Body	-	Brass
-	Stem	-	HAIPLEN H50
-	Spring	-	Stainless steel
-	Plate	-	HAIPLEN H50
-	Handle	-	HAIPLEN H50
-	Threaded washer	-	Acetal resin
-	Spring stop	-	Nylon
-	Washer	-	Fiber
-	Cylinder	-	EPDM
-	Plate	-	Brass

OVERALL DIMENSIONS



	1/2"x1/2"	3/4"x3/4"	1"x1"
A	74,5	76	85
B	26	26	32
C	25,5	32,5	38
E	31,5	31,5	38,5
F	41,5	47,5	54
Kg/cm ² bar	10	10	10
LBS - psi	145	145	145

CERTIFICATIONS



369

DIAPHRAGM SAFETY RELIEF VALVE - MALE/FEMALE THREAD

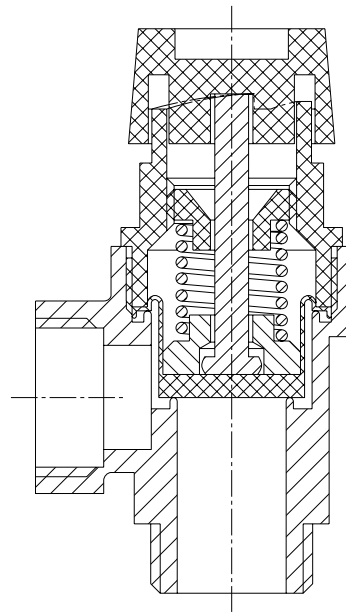


SIZE	PRESSURE	CODE	PACKING
1/2" (DN 15)	1,5	369001215	10/150
1/2" (DN 15)	1,8	369001218	10/150
1/2" (DN 15)	2,5	369001225	10/150
1/2" (DN 15)	3	369001230	10/150
1/2" (DN 15)	4	369001240	10/150
1/2" (DN 15)	6	369001260	10/150

TECHNICAL SPECIFICATIONS

Body in nickel-plated brass.
 Diaphragm: EPDM.
 Spring: stainless steel.
 Nominal pressure: 10 bar.
 Working temperatures: 5°C - 110°C.
 Opening overpressure: 20%.
 Closing differential: 20%.
 Available settings: 1,5 - 1,8 - 2,5 - 3 - 4 - 6 bar.
 Threads: ISO228 (equivalent to DIN EN ISO 228 and BS EN ISO 228).
Available sizes: 1/2"x1/2"

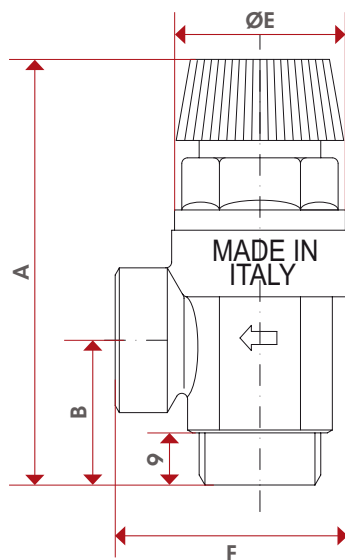
MATERIALS



POS.	DESCRIPTION	N.	MATERIAL
-	Body	-	Brass
-	Stem	-	HAIPLEN H50
-	Spring	-	Stainless steel
-	Plate	-	HAIPLEN H50
-	Handle	-	HAIPLEN H50
-	Threaded washer	-	Acetal resin
-	Spring stop	-	Nylon
-	Washer	-	Fiber
-	Cylinder	-	EPDM
-	Plate	-	Brass



OVERALL
DIMENSIONS



	1/2"x1/2"
A	74,5
B	26
E	31,5
F	41,5
Kg/cm ² bar	10
LBS - psi	145

CERTIFICATIONS



368M

DIAPHRAGM SAFETY
RELIEF VALVE WITH
PRESSURE GAUGE
CONNECTION
FEMALE/FEMALE THREAD

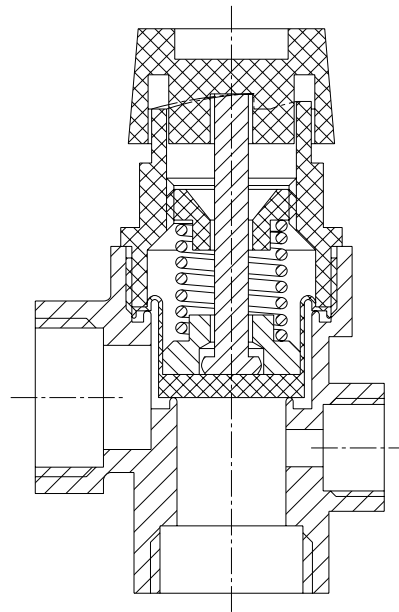


SIZE	PRESSURE	CODE	PACKING
1/2" (DN 15)	1,5	368001215M	10/150
1/2" (DN 15)	1,8	368001218M	10/150
1/2" (DN 15)	2,5	368001225M	10/150
1/2" (DN 15)	3	368001230M	10/150
1/2" (DN 15)	4	368001240M	10/150
1/2" (DN 15)	6	368001260M	10/150

TECHNICAL SPECIFICATIONS

Body in nickel-plated brass.
Diaphragm: EPDM.
Spring: stainless steel.
Nominal pressure: 10 bar.
Working temperatures: 5°C - 110°C.
Opening overpressure: 20%.
Closing differential: 20%.
Available settings: 1,5 - 1,8 - 2,5 - 3 - 4 - 6 bar.
Threads: ISO228 (equivalent to DIN EN ISO 228 and BS EN ISO 228).
Available sizes: 1/2"x1/2" Pressure gauge connection: 1/4".

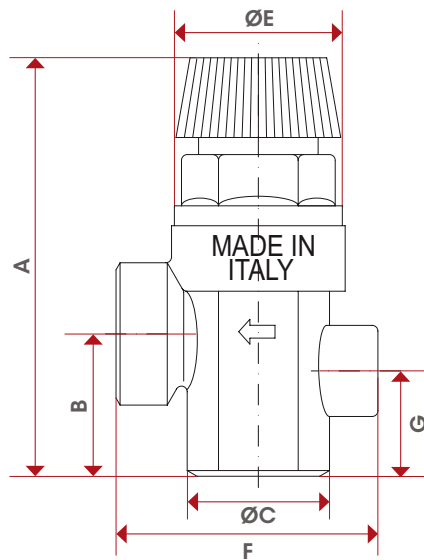
MATERIALS



POS.	DESCRIPTION	N.	MATERIAL
-	Body	-	Brass
-	Stem	-	HAIPLEN H50
-	Spring	-	Stainless steel
-	Plate	-	HAIPLEN H50
-	Handle	-	HAIPLEN H50
-	Threaded washer	-	Acetal resin
-	Spring stop	-	Nylon
-	Washer	-	Fiber
-	Cylinder	-	EPDM
-	Plate	-	Brass



OVERALL
DIMENSIONS



	1/2"x1/2"
A	74,5
B	26
C	25,5
E	31,5
F	46
G	19,5
Kg/cm ² bar	10
LBS - psi	145

CERTIFICATIONS



369M

DIAPHRAGM SAFETY
RELIEF VALVE WITH
PRESSURE GAUGE
CONNECTION
MALE/FEMALE THREAD

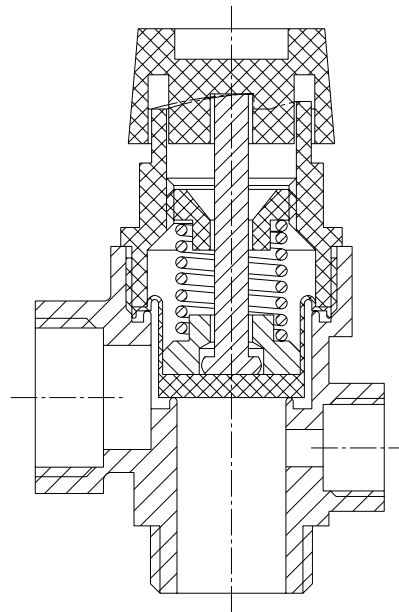


SIZE	PRESSURE	CODE	PACKING
1/2" (DN 15)	1,5	369001215M	10/150
1/2" (DN 15)	1,8	369001218M	10/150
1/2" (DN 15)	2,5	369001225M	10/150
1/2" (DN 15)	3	369001230M	10/150
1/2" (DN 15)	4	369001240M	10/150
1/2" (DN 15)	6	369001260M	10/150

TECHNICAL SPECIFICATIONS

Body in nickel-plated brass.
Diaphragm: EPDM.
Spring: stainless steel.
Nominal pressure: 10 bar.
Working temperatures: 5°C - 110°C.
Opening overpressure: 20%.
Closing differential: 20%.
Available settings: 1,5 - 1,8 - 2,5 - 3 - 4 - 6 bar.
Threads: ISO228 (equivalent to DIN EN ISO 228 and BS EN ISO 228).
Available sizes: 1/2"x1/2" Pressure gauge connection: 1/4".

MATERIALS



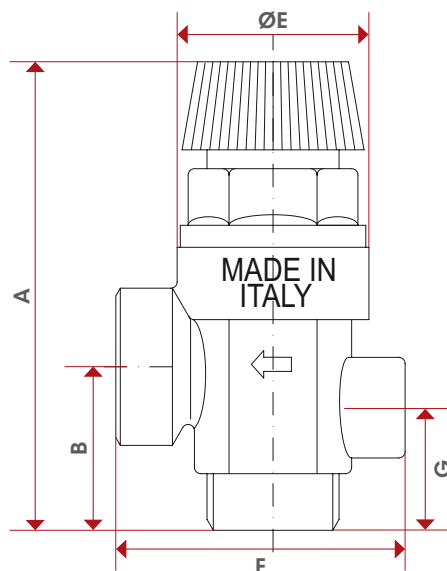
POS.	DESCRIPTION	N.	MATERIAL
-	Body	-	Brass
-	Stem	-	HAIPLEN H50
-	Spring	-	Stainless steel
-	Plate	-	HAIPLEN H50
-	Handle	-	HAIPLEN H50
-	Threaded washer	-	Acetal resin
-	Spring stop	-	Nylon
-	Washer	-	Fiber
-	Cylinder	-	EPDM
-	Plate	-	Brass





TEC

OVERALL DIMENSIONS



	1/2"x1/2"
A	74,5
B	26
E	31,5
F	46
G	19,5
Kg/cm ² bar	10
LBS - psi	145

CERTIFICATIONS



RANGE





NOTES

A series of horizontal dashed lines for taking notes, extending across the width of the page.



ITAP S.p.A.
Via Ruca 19
25065 Lumezzane
Brescia (ITALIA)
Tel 030 89270
Fax 030 8921990
www.itap.it - info@itap.it