

TECHNICAL CATALOGUE

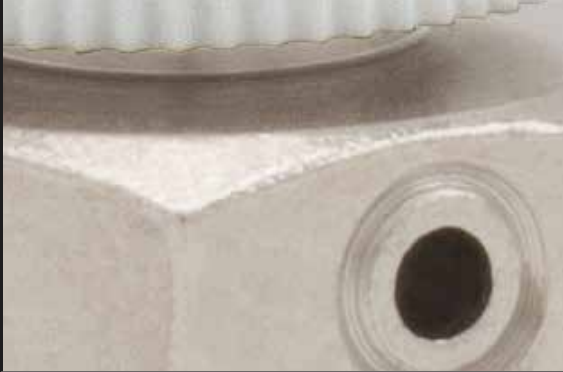
---

# AIR VENT VALVES AND SAFETY VALVES





ITAP SpA, founded in Lumezzane (Brescia) in 1972, is currently one of the leading production companies in Italy of valves, fittings and distribution manifolds for plumbing and heating systems. Thanks to fully automated production processes, with 72 tooling machines and 51 assembly lines, we are able to produce 200,000 pieces per day. Our innate pursuit for innovation and observance of technical regulations is supported by the company certification ISO 9001: 2008. The company has always considered its focus on quality as the main tool to obtain significant business results: today ITAP SpA is proud to offer products bearing the approval of numerous international certifying bodies.





TEC

AIR VENT VALVES  
AND SAFETY  
VALVES

ACCESSORIES

# 194

## AIR VENT VALVE

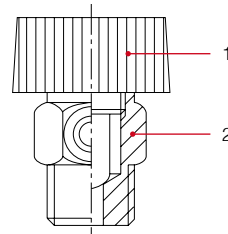


SIZE	PRESSURE	CODE	PACKING
1/4"	10bar/145psi	1940014	50/1150
3/8"	10bar/145psi	1940014	40/720
1/2"	10bar/145psi	1940014	40/560

### TECHNICAL SPECIFICATIONS

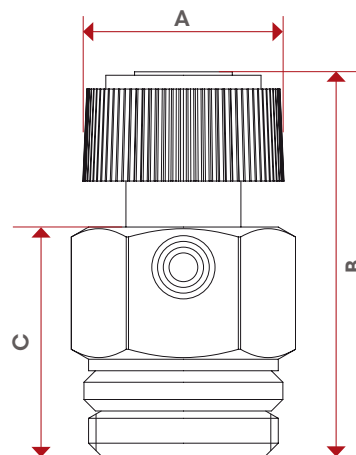
Body in chrome-plated brass.  
 Handle in acetalic resin.  
 Maximum working temperature: 110°C.  
 Thread ISO228 (equivalent to DIN EN ISO 228 and BS EN ISO 228).

### MATERIALS



POS.	DESCRIPTION	N.	MATERIAL
1	Handwheel	1	Acetalic resin
2	Body	1	Chrome-plated brass CW617W

### OVERALL DIMENSIONS



	1/4"	3/8"	1/2"
A	17,5	17,5	17,5
B	33	33,5	29
C	19,5	20	15,5
<b>Kg/cm<sup>2</sup> bar</b>	10	10	10
<b>LBS - psi</b>	145	145	145

### CERTIFICATIONS



# 1940

ADJUSTABLE  
NICKEL-PLATED  
AIR VENT VALVE



SIZE	PRESSURE	CODE	PACKING
1/2"	10bar/145psi	19400120	40/560

## TECHNICAL SPECIFICATIONS

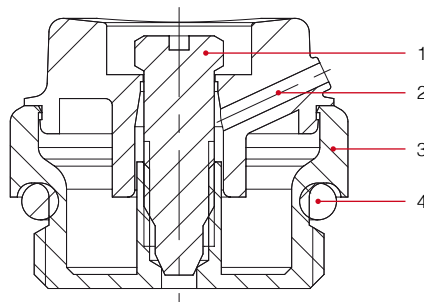
Body in nickel-plated brass.

Handle in nylon.

Maximum working temperature: 110°C.

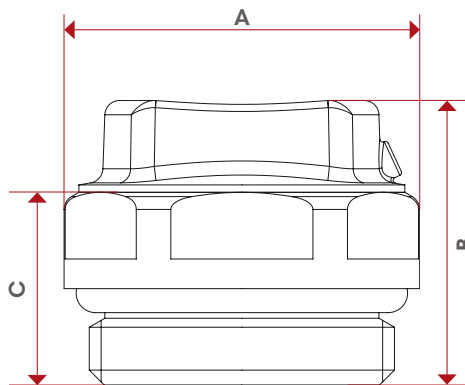
Threads: ISO228 (equivalent to DIN EN ISO 228 and BS EN ISO 228).

## MATERIALS



POS.	DESCRIPTION	N.	MATERIAL
1	Screw	1	Nickel-plated brass CW614N
2	Cap	1	PA6 ( Nylon )
3	Body	1	Nickel-plated brass CW614N
4	O-Ring	1	EPDM

## OVERALL DIMENSIONS



	<b>1/2"</b>
A	24
B	19,2
C	13
Kg/cm <sup>2</sup> bar	10
LBS - psi	145

## CERTIFICATIONS



# 195

## REVOLVING DRAIN COCK

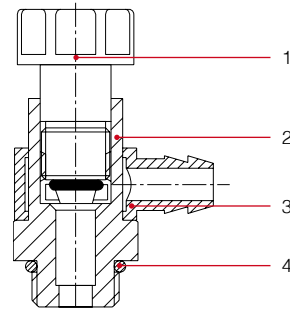


SIZE	PRESSURE	CODE	PACKING
1/4"	10bar/145psi	1950014	50/550
3/8"	10bar/145psi	1950038	50/550

### TECHNICAL SPECIFICATIONS

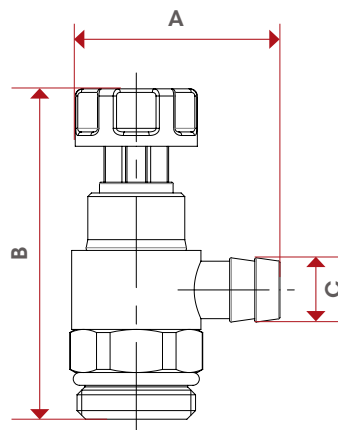
Body in nickel-plated brass.  
 Revolving drain in acetalic resin.  
 Maximum working temperature: 110°C.  
 Thread ISO228 (equivalent to DIN EN ISO 228 and BS EN ISO 228).

### MATERIALS



POS.	DESCRIPTION	N.	MATERIAL
1	Handwheel	1	Acetal resin
2	Body	1	Brass CW617W
3	Hose connection	1	Polyethylene
4	O-Ring	1	NBR

### OVERALL DIMENSIONS



	1/4"	3/8"
A	29	29
B	46	46
C	9	9
Kg/cm <sup>2</sup> bar	10	10
LBS - psi	145	145

### CERTIFICATIONS





# 196

## DRAIN COCK

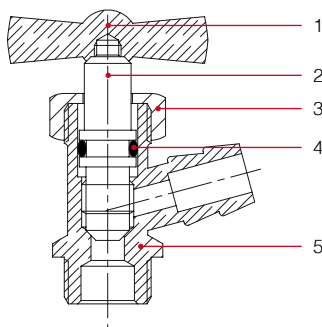


SIZE	PRESSURE	CODE	PACKING
1/4"	20bar/290psi	1960014	50/550

### TECHNICAL SPECIFICATIONS

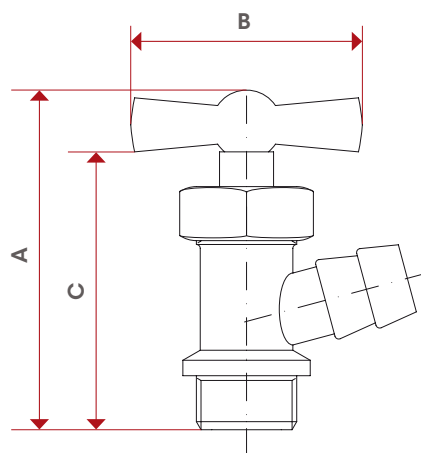
Body in chrome-plated brass.  
 Maximum working temperature: 80°C.  
 Thread ISO228 (equivalent to DIN EN ISO 228 and BS EN ISO 228).

### MATERIALS



POS.	DESCRIPTION	N.	MATERIAL
1	Handle	1	Chrome-plated brass CW617N
2	Bonnet	1	Chrome-plated brass CW614N
3	Nut	1	Chrome-plated brass CW614N
4	O-Ring	1	NBR
5	Body	1	Chrome-plated brass CW617N

### OVERALL DIMENSIONS



	1/4"
A	43
B	30
C	35
kg/cm <sup>2</sup> bar	20
LBS - psi	290

### CERTIFICATIONS



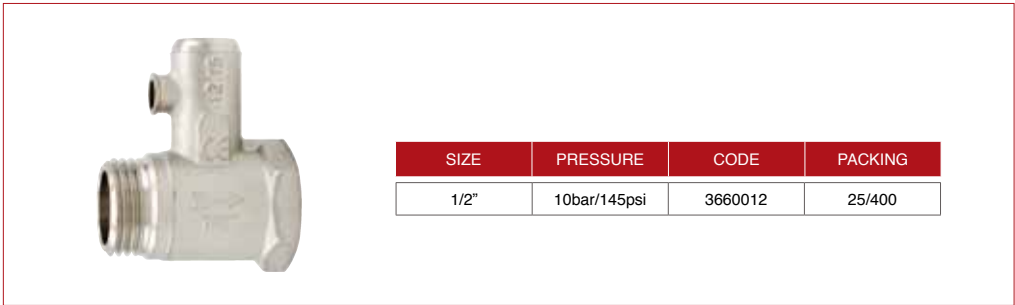
# 366

## SAFETY RELIEF VALVE FOR BOILERS

### CERTIFICATIONS



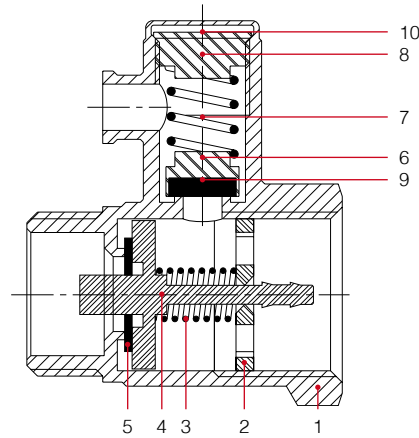
### TECHNICAL SPECIFICATIONS



SIZE	PRESSURE	CODE	PACKING
1/2"	10bar/145psi	3660012	25/400

Body in nickel-plated brass.  
 Check and vent spring valve in stainless steel.  
 Check seat in nylon.  
 Check and vent seal in NBR.  
 Maximum working temperature: 120°C.  
 Opening pressure: 8,5 bar.  
 Threads: ISO228 (equivalent to DIN EN ISO 228 and BS EN ISO 228).

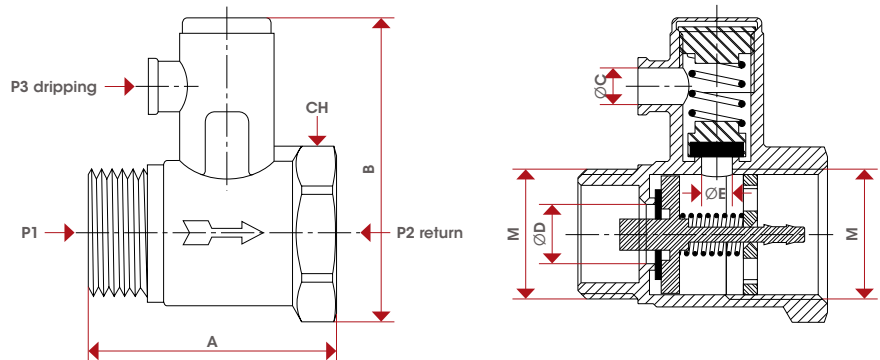
### MATERIALS



POS.	DESCRIPTION	N.	MATERIAL
1	Body	1	Brass CW617N
2	Disk for check	1	Nylon
3	Spring for check	1	Stainless steel AISI 302
4	Central Pin	1	Nylon
5	Seal	1	E.P.D.M.
6	Seal holder	1	Nylon
7	Spring	1	Stainless steel AISI 302
8	Threaded cup	1	Nylon
9	Seal	1	E.P.D.M.
10	Washer	1	Aluminium

### OVERALL DIMENSIONS

M	1/2"
A	40
B	50
ØC	6
ØD	10
ØE	5
CH	25
P1 bar	<1
P2 bar	0.8 - 1.5
P3 bar	8.5 ± 0.5
Kg/cm² bar	10
LBS - psi	145



# 367

## SAFETY RELIEF VALVE FOR BOILERS WITH LEVER HANDLE

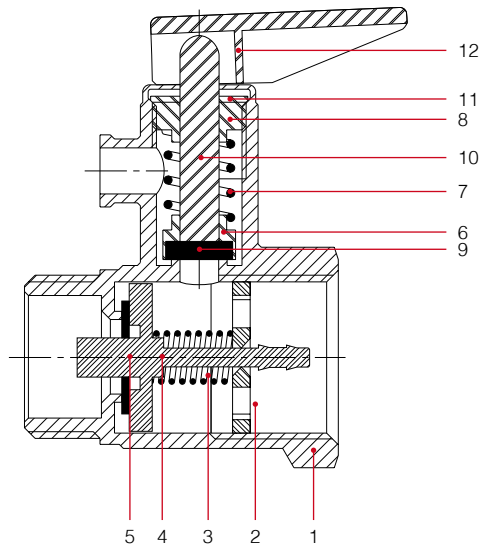


SIZE	PRESSURE	CODE	PACKING
1/2"	10bar/145psi	3670012	25/325

### TECHNICAL SPECIFICATIONS

Body in nickel-plated brass.  
 Check and vent spring in stainless steel.  
 Check seat in nylon.  
 Check and vent seal in NBR.  
 Maximum working temperature: 120°C.  
 Opening pressure: 8,5 bar.  
 Threads ISO228 (equivalent to DIN EN ISO 228 and BS EN ISO 228).

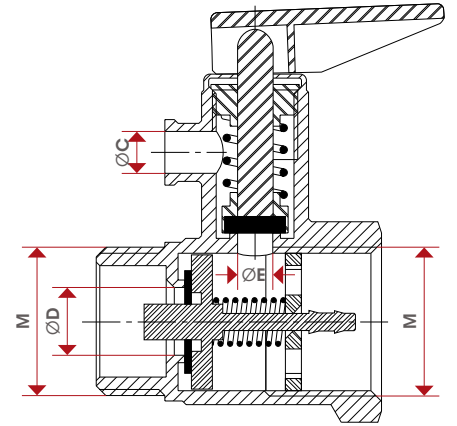
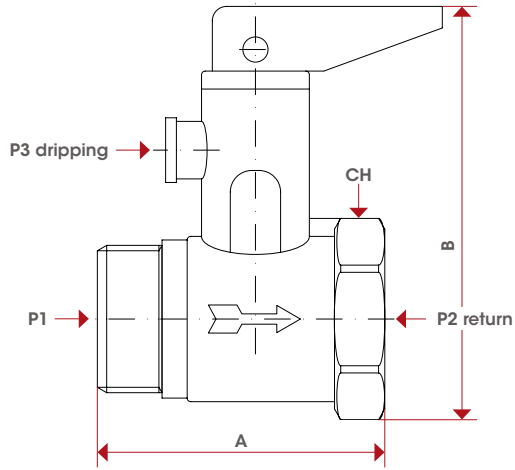
### MATERIALS



POS.	DESCRIPTION	N.	MATERIAL
1	Body	1	Brass CW617N
2	Disk for check	1	Nylon
3	Spring for check	1	Stainless steel AISI 302
4	Central Pin	1	Nylon
5	Seal	1	E.P.D.M.
6	Seal holder	1	Nylon
7	Spring	1	Stainless steel AISI 302
8	Threaded cup	1	Nylon
9	Seal	1	E.P.D.M.
10	Pin for lever	1	Nylon
11	Washer	1	Aluminium
12	Lever	1	Nylon

## OVERALL DIMENSIONS

M	1/2"
A	40
B	60
ØC	6
ØD	10
ØE	5
CH	25
P1 bar	<1
P2 bar	0,8 - 1,5
P3 bar	8,5 ± 0,5
Kg/cm <sup>2</sup> bar	10
LBS - psi	145



## CERTIFICATIONS





# NOTES

Lined area for notes, consisting of multiple horizontal dashed lines.



ITAP S.p.A.  
Via Ruca 19  
25065 Lumezzane  
Brescia (ITALIA)  
Tel 030 89270  
Fax 030 8921990  
[www.itap.it](http://www.itap.it)  
[info@itap.it](mailto:info@itap.it)